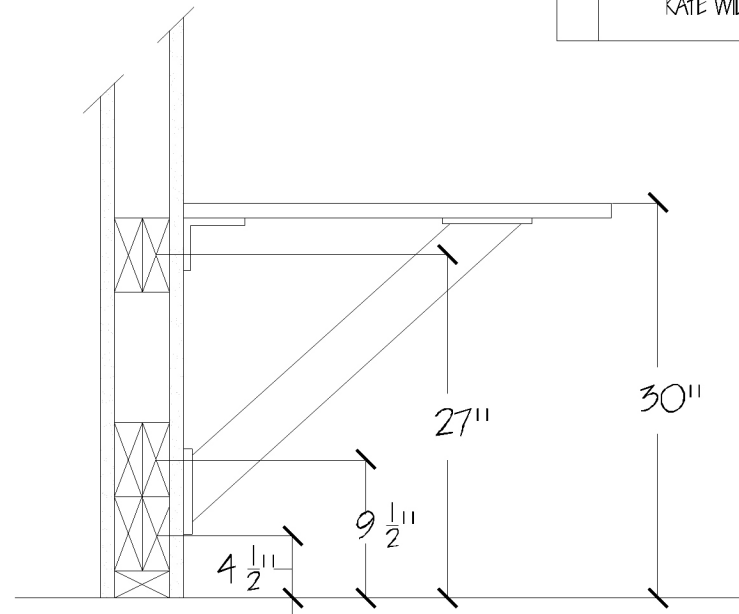


G-10:22



G-10:30

<p>11" G" SERIES CANTILEVER BASES</p>
<p>DATE: 12-22-06</p>
<p>11" G" SERIES</p>
<p>DRAWING BY: KATE WILKERSON</p>