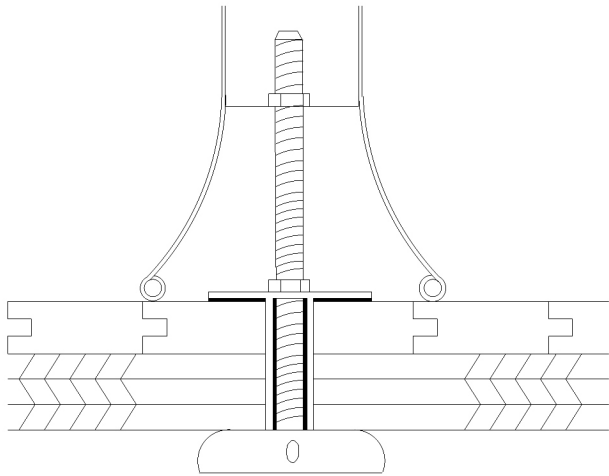


WOOD FLOOR ON SLEEPERS/ JOISTS

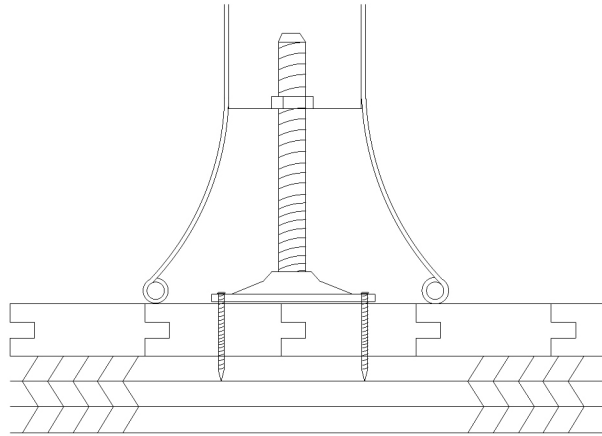
- \* AFTER MARKING POSITION ON FLOOR, DRILL  $\frac{7}{8}$ " HOLE IN FLOOR AND INSERT TOGGLE BOLT
- \* LOCK IN PLACE WITH WASHER AND  $\frac{1}{2}$ " NUT
- \* INSTALL BASE OVER BOLT
- \* PLACE  $\frac{1}{2}$ " NUT IN STOOL, WRENCH AND TIGHTEN WITH ADJUSTABLE END WRENCH



TYPE - A

WOOD FLOOR ADHERED TO SOLID SUBSTRATE

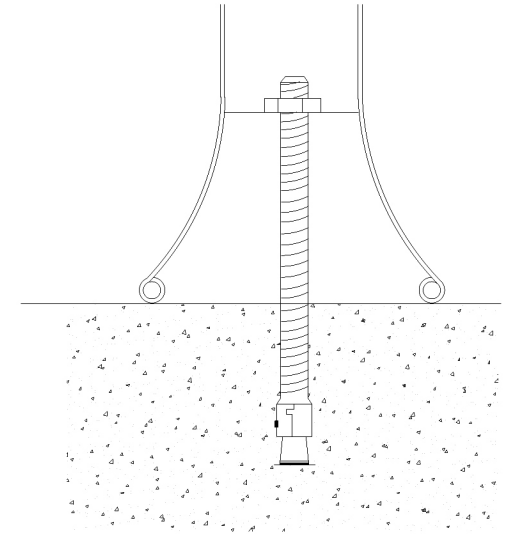
- \* AFTER MARKING POSITION ON FLOOR,
- \* ANCHOR FLOOR PLATE TO FLOOR WITH 2" SCREWS
- \* INSTALL BASE OVER BOLT
- \* PLACE  $\frac{1}{2}$ " NUT IN STOOL, WRENCH AND TIGHTEN WITH ADJUSTABLE END WRENCH



TYPE - B

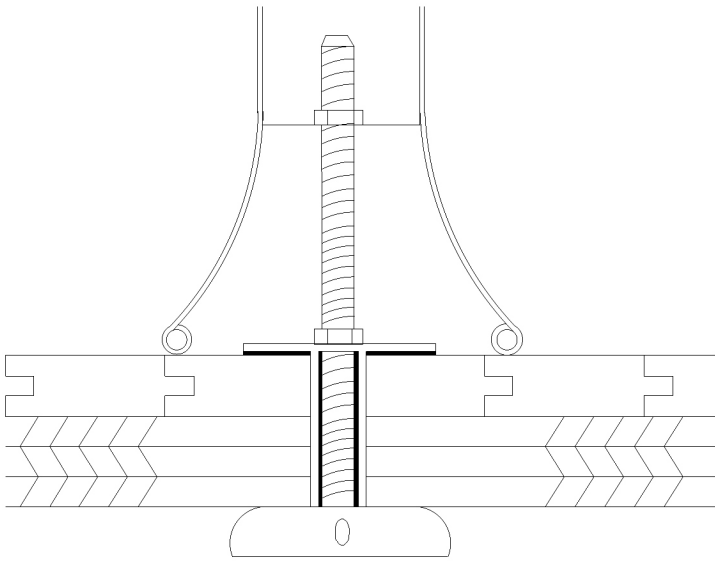
CONCRETE SUB FLOOR

- \* AFTER MARKING POSITION ON FLOOR, DRILL  $\frac{1}{2}$ " HOLE 2" DEEP
- \* INSERT EXPANSION ANCHOR IN HOLE AND LIGHTLY SET
- \* SET BASE OVER BOLT
- \* PLACE  $\frac{1}{2}$ " NUT IN STOOL, WRENCH AND TIGHTEN WITH ADJUSTABLE END WRENCH



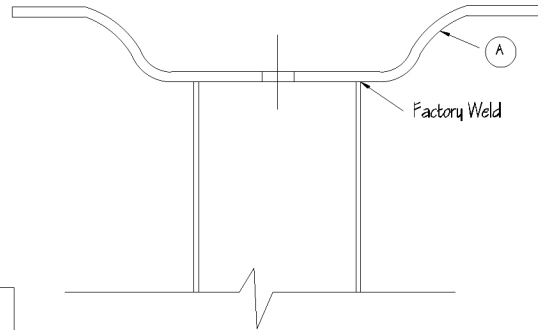
TYPE - C

DRAWN BY SPEN WILKINSON	1500 STJ00L	DATE: 1-2-07		FLOOR ATTACHMENT DETAILS

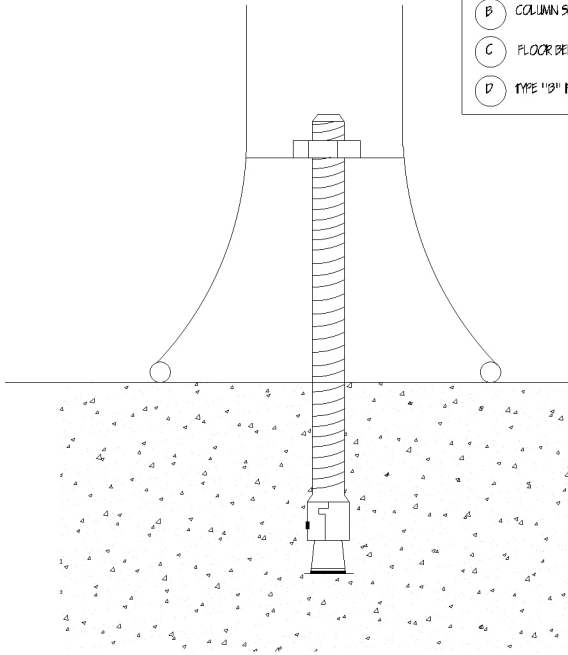


TYPE - A

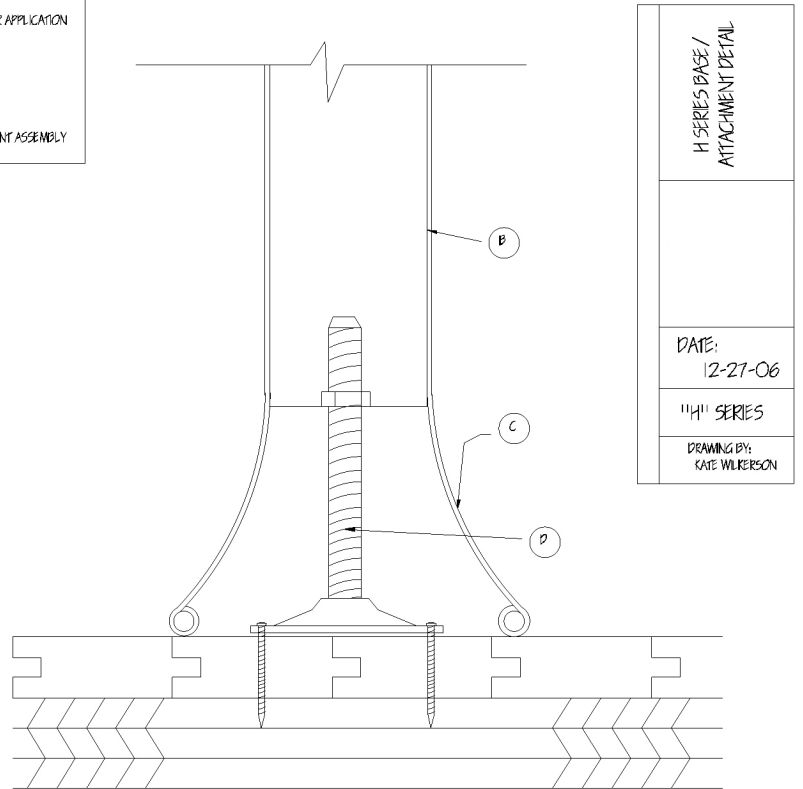
PART LEGEND	
(A)	MOUNTING SPIDER SIZED FOR APPLICATION
(B)	COLUMN SHAFT
(C)	FLOOR BELL
(D)	TYPE "B" FLOOR ATTACHMENT ASSEMBLY



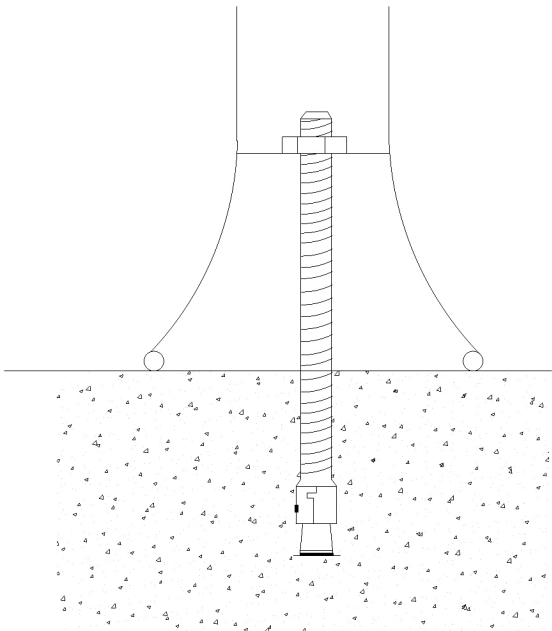
TYPE - B



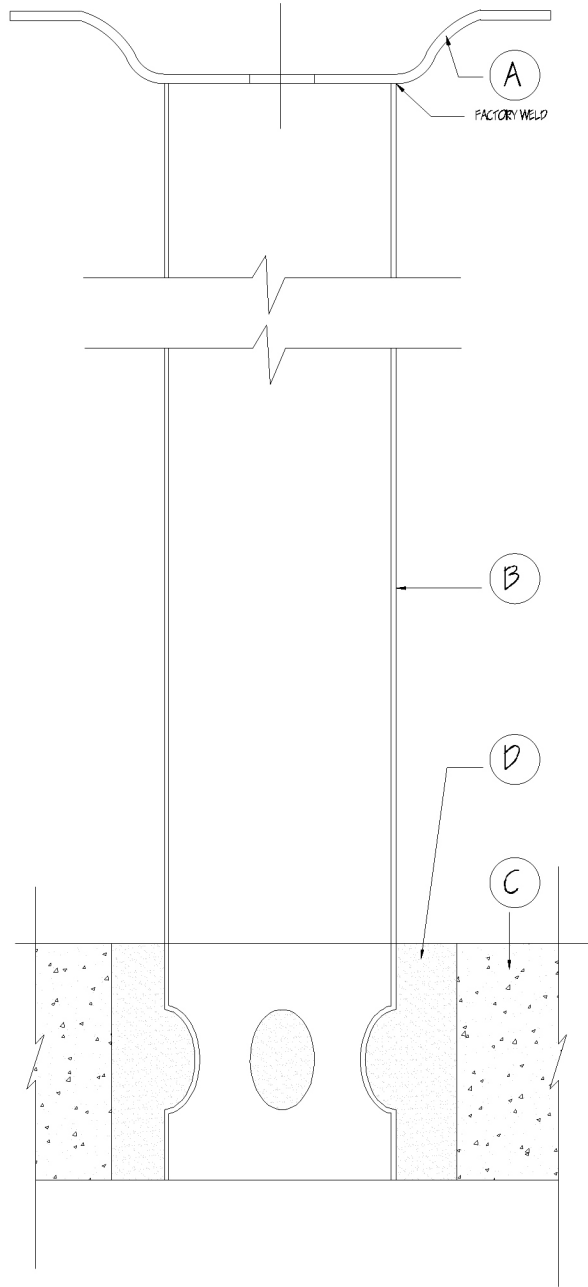
TYPE - C



H SERIES BASE / ATTACHMENT DETAIL	
DATE: 12-27-06	
"H" SERIES	
DRAWING BY: KATE WILKERSON	



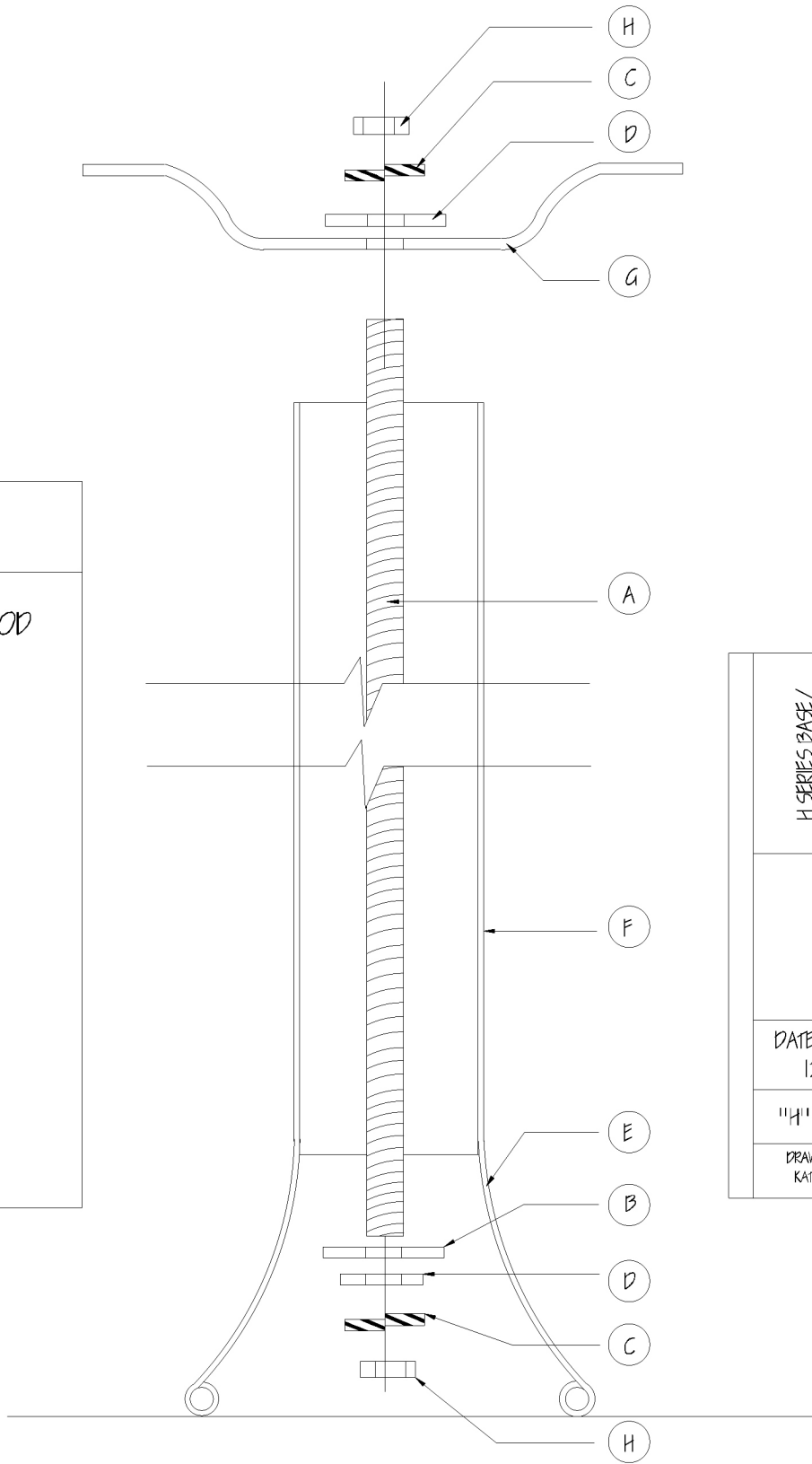
TYPE - C



H SERIES BASE/ 1500 5100L CORE DRILL ATTACHMENT DETAIL
DATE: 12-22-06
"H" SERIES
DRAWING BY: KATE WILKERSON

PART LEGEND
A - MOUNTING SPIDER SIZED FOR APPLICATION
B - COLUMN SHAFT
C - CONCRETE SLAB MINIMUM 4" CORE
D - NON-SHRINK GROUT

PART LEGEND	
A -	$\frac{1}{2}$ " X 27" THREADED ROD
B -	3" FLAT WASHER
C -	SPLIT LOCK WASHER
D -	1- $\frac{1}{2}$ " FLAT WASHER
E -	FLOOR BELL
F -	COLUMN SHAFT
G -	MOUNTING SPIDER
H -	$\frac{1}{2}$ " HEX NUT



H SERIES BASE / THREADED ROD ATTACHMENT DETAIL	
DATE: 12-22-06	
"H" SERIES	
DRAWING BY: KATE WILKERSON	