

Artista Gallery, Inc. Presents:

NewRetroDining.com

Made in USA - Retro 50's Furniture

Classic Diner Catalog



Authentic

High Quality

Proudly Crafted in the USA

Residential and Commercial Retro Furniture

Phone (478) 320-2502 ♦ Fax (404) 420-2890

www.NewRetroDining.com

Artista Gallery, Inc. ♦ 1004 Briarcliff Rd. ♦ Warner Robins, GA 31088

Rev 01FEB15

Artista Gallery, Inc.

Terms & Conditions (Last updated February 01, 2015)

Thank you for shopping at NewRetroDining.com. Your use of this site is governed by the Terms and Conditions set forth below. By making a purchase or placing an order you signify your acceptance of the conditions set forth below. Please take a moment to read through our terms thoroughly. Artista Gallery, Inc. reserves the right to make changes to this site and the Terms and Conditions at any time without prior notice.

- This agreement supersedes any other verbal, written or printed agreement or any other undertaking relating to any transaction(s) entered into with Artista Gallery, Inc.
- This policy may not be altered or amended in any manner and the buyer by placing an order accepts and agrees to abide by the terms and conditions contained herein.
- Artista Gallery, Inc. reserves the right to modify this site and its Terms and Conditions at any time without prior notice.
- All prices posted on the Artista Gallery, Inc. websites are for mail order only.
- Applicable sales tax is added to orders delivered within the State of Georgia.
- Prices, specifications and availability are subject to change without notice.
- No refunds will be issued for difference in price due to price drop.
- Artista Gallery, Inc. is not responsible for any typographical errors and pictorial representations in our advertisements. Corrections will be made as soon as the mistake comes to our notice.
- Every effort will be made to be accurate. However, Artista Gallery, Inc. will not honor prices inadvertently published.
- Artista Gallery, Inc. shall retain ownership of the goods purchased hereunder until payment from the purchaser has been received in full. Artista Gallery, Inc. shall have the right to demand payment or repossess the goods in the event of the purchaser's bankruptcy, insolvency or other failure to fulfill its payment obligations hereunder. In the event of such failure, the purchaser shall be required to safely and properly store the goods purchased hereunder separately, to identify them as belonging to Artista Gallery, Inc., and to allow us access to the purchaser's premises in order to verify that the goods are stored correctly, and to repossess them.

METHOD OF PAYMENT

Payment may be made to the order of Artista Gallery, Inc. by Money Order, Cashier's Check, Personal Check, Company Check, Master Card, Visa Card, Discover Card, American Express Card or Paypal.

- Full payment is cleared before order(s) are processed and shipped.
- Payment must be made on agreed terms between Artista Gallery, Inc. and purchaser.

RETURNS

No returned merchandise will be accepted by Artista Gallery, Inc. for exchange, credit or repair unless prior written consent is given by us. Unauthorized returns will be refused and returned to the consignee freight collect. Where returns are authorized, Artista Gallery, Inc. will issue a Return Material Authorization (RMA) Form with shipping instructions which must be used with such returns indicating any restocking and/or freight charges that will be billed to the buyer. Restocking charges will range from 25% to 50% of the original purchase price.

STORAGE

Under normal circumstances, if buyer advises at time of placing order that shipment should be made after a specified date, Artista Gallery, Inc. will try to accommodate such requests. If however no specific date was requested, and when the order is ready for shipment, buyer is unable or unwilling to accept delivery, Artista Gallery, Inc. will invoice the buyer as of the scheduled date of shipping, and charge buyer for all handling, transfer and storage costs incurred from the scheduled date until actual shipping date. Where returns are authorized, Artista Gallery, Inc. will issue a Return Material Authorization Form with shipping instructions which must be used with such returns indicating any restocking and/or freight charges that will be billed to the buyer. Restocking charges will range from 25% to 50% of the original purchase price.

ASSEMBLY (Written instruction are provided)

- All chairs, backless stools and booth benches are delivered fully assembled.
- All stools with backs require attaching the seat to the swivel base.
- All tables require attachment of the legs or pedestal base to the table tops.

ORDER CHANGES & CANCELLATIONS

Due to the custom nature of our products, Artista must specify purchase materials and individually assemble to meet the unique and demanding specifications designated in each purchase order. Therefore, once Artista accepts and acknowledges an order, it is fully binding and is not subject to cancellation or change by the buyer.

This does not mean that it is never possible to cancel or change an order, however, the request must be in writing, approved and acknowledged by Artista and may require charges for labor, materials, and/or other expenses we have incurred. (*Minimum charge per change order: \$66.67 list*). *Order will in some cases require updated ship date.*

PREVIOUS ORDER MATCHING

If your order is to match a previous order, it must be clearly stated on your order, with reference made to our original invoice or acknowledgment number and date. **If available, please supply a copy of the original invoice.** Artista is not responsible to supply materials such as laminate, vinyl, fabrics or other items that may be discontinued.

Finishes (*Fabrics, vinyl, stains, and paints*) may change over a period of time and it is recommended that the buyer submit a sample from the original order when possible to assure the best possible match. When a special wood finish is requested, **Artista** will attempt to match as closely as possible, but cannot assume responsibility for variations resulting from application of color finishes on various woods. Artista in some instances may request the buyer return a signed approval prior to production.

DISCONTINUED STYLES.

Often a number of styles from previous price lists or catalogs are discontinued or retired from the line and no longer listed in the catalog or price list. This does not always mean that these items are no longer available, but may have been discontinued and replaced with a similar item or may still be available upon request. Please feel free to call our customer service department for information on these particular items.

JURISDICTION

Artista Gallery, Inc. is a Georgia corporation and you agree that this agreement has been entered into in the State of, and its validity, construction, interpretation and legal effect shall be governed by the laws of the State of Georgia applicable to contracts entered into and performed entirely within the State of Georgia. Additionally, you agree that any and all disagreements arising from your use of or orders placed through NewRetroDining.com will be adjudicated in the county of Houston, Georgia by an appropriate federal or state court.

SHIPPING

- All applicable shipping charges are non-refundable.
- The purchaser must make all the necessary arrangements to receive the package from the carrier at the time of delivery. The carrier will contact the buyer by phone at the number provided at the time the order is placed.
- The purchaser is responsible for any additional shipping and/or storage fees which arise in the event the purchaser is not available to receive the shipment at the pre-arranged and designated day and time-range resulting in the carrier needing to re-schedule the delivery appointment.
- The purchaser is responsible for filing any and all claims for wrong, missing, damaged or defective item(s) with Artista Gallery, Inc. within 24 hours of delivery by fax (404) 420-2890, phone (478) 320-2502 or email, RMA@NewRetroDining.com. If not reported within this time acceptance of the item(s) is implied.
- If there is any shipping damage the purchaser is responsible for documenting the damage on the freight bill of lading and sending photographs of the damaged box and damaged items to Artista Gallery, Inc. All items must be thoroughly inspected before the carrier driver leaves your premises. If there is any damage or perceived damage it must be documented on the freight Bill of Lading. If not recorded at the time of delivery then acceptance of the item(s) is implied.
- It is very important to inspect the crate(s) and carton(s) upon arrival. If there is any visual sign of damage to the packaging then you must write "DAMAGED" on the BOL (Bill of Lading) when you sign for the goods, in case there is actual damage to the goods. Please do not refuse the shipment as Artista Gallery, Inc. will file a damage claim with the shipper. We rarely have issues with damage due to shipping. This is just to ensure responsibility for any damages born by the shipper. If there is any damage, please save the cartons. If there is any damage please notify us via email or phone within 24 hours of receiving furniture.
- Buyers should advise preferred shipping and routing with each order. If no carrier is requested by name, or if named carrier does not serve our factory or consignee location, Artista will ship by the method deemed most practical, but will not be responsible for any differences in freight charges.
- All ship dates quoted are approximate. Any orders shipped later than the factory scheduled ship date are free from any penalties imposed by the buyers.

- From the time carrier signs for shipment, Artista no longer has title to the merchandise, and carrier becomes the agent of the consignee. Disposition of shipments refused by consignee is the responsibility of the consignee and or buyer.
- Any additional shipping charges incurred by Artista for matters such as C.O.D. fees, inside delivery, etc., will be billed to the buyer.

SHIPPING SERVICES OFFERED

- Artista Gallery, Inc. offers premium freight shipping services provided by a variety of carriers.
- Actual 70% discounted shipping charges on line-haul shipping will be charged to the purchaser. Curb-side delivery is standard. Additional charges apply for residential inside deliveries.
- An estimated shipping amount will be quoted at the time your order is placed upon request. You

SHORTAGES OR DAMAGE CLAIMS

- Artista is not responsible for loss or damages incurred in transit. Before accepting the merchandise from the carrier, the consignee should inspect and note any loss or damage on the delivery receipt. If there is loss or damage, a claim should be made immediately with the carrier. If damage or loss is discovered after delivery, the carrier should be notified immediately for an inspection of concealed damage as well as for instructions in filing a freight claim. Original packing materials should be saved for inspection if claim is to be filed. Concealed damage claims must be filed with carrier within 10 days of receipt of goods. (Freight company will only cover 1/3 of total cost.).
- Shortages other than loss in transit, or any variance in the specifications of the order must be reported to Artista within 10 days of receipt of goods. Failure to make such claim shall constitute acceptance of the merchandise and a waiver of any defects, errors or shortages.
- Artista's liability shall be limited to the selling price of any defective goods, and shall at no time include profits or loss of profits. All replacement orders for freight - damaged merchandise must be accompanied by a completed and signed copy of the carrier's inspection report.

RETURNS

- No returned merchandise will be accepted by Artista for exchange, credit or repair unless prior written consent is given by the factory. Unauthorized returns will be refused and returned to the consignee freight collect.
- Where returns are authorized, Artista will issue a Return Authorization Form with shipping instructions which must be used with such returns indicating any restocking and/or freight charges that will be billed to the buyer. Restocking charges will range from 25% of the original purchase price.

MISCELLANEOUS

- (a) This agreement constitutes the entire agreement between the parties relative to the subject matter hereof and supersedes all other understandings and agreements between the parties whether oral or written.
- (b) This Agreement may not be modified orally; no waiver, amendment or modification shall be binding or effective unless in writing and signed by the party sought to be bound.
- (c) This Agreement may be executed in one or more counterparts, each of which shall be deemed an original, but all of which together shall constitute one and the same instrument.
- (d) If any part of this Agreement shall be declared invalid or unenforceable by court of competent jurisdiction, it shall not affect the validity of the balance of this Agreement.
- (e) This Agreement shall inure to the benefit of and be binding upon each party and its successors and assigns.
- (f) Nothing contained in this agreement shall constitute a partnership or joint venture between the parties hereto or constitute either party the agent of the other.
- (g) No waiver by either party of any term or provision of this contract or of any default hereunder shall affect your or Artista Gallery, Inc.'s respective rights thereafter to enforce such term or provision or to exercise any right or remedy in the event of any other default, whether or not similar.
- (h) Neither party shall be deemed to be in breach of any of its obligations hereunder unless and until given written notice by certified or registered mail, return receipt requested, of the nature of such breach

FLAME RETARDANCY

Municipal requirements regarding flame retardant for use in various types of facilities are constantly changing. As part of our customized service, Artista offers a wide variety of upholstery, foam materials and barrier cloths to meet unique flame retardant specifications.

If buyer must satisfy a particular code, e.g., State of Calif. Technical Bulletin 117 - E, or Boston Fire Dept. Code (BFD 9 - 1), this must be clearly indicated on the purchase order.

Artista will advise buyer of special pricing for this service, but Artista is not liable for noncompliance with local code requirements if the buyer fails to advise Artista of these requirements at the time of purchase.

Note: most flame retardant treatments are salt solutions. Cleaning flame retardant upholstery therefore with water or water - based foams will result in salt ringing. Solvent - based fabric cleaners or dry cleaning are alternate methods of cleaning. However, buyer is cautioned to test proposed cleaning procedures on a small portion of fabric before proceeding with cleaning of the entire installation

LIMITED WARRANTY & LIFETIME WARRANTY

All products manufactured by Artista Seating Products are guaranteed against failure from defective workmanship to the original purchaser, when installed and utilized for their intended purpose. A structural frame warranty applies to weld failures and leg bending. The structural frame warranties are as follows:

Innovations (Lifetime)	Faculty (Lifetime)	265 (2 years)	Wood Chairs (1 year)
Legends (Lifetime)	Parlor (Lifetime)	300 (Lifetime)	Booths (2 years)
Spectrum (Lifetime)	Classic (Lifetime)	400 (Lifetime)	Tables (2 years)
Omni (Lifetime)	215 (2 years)	500 (Lifetime)	Bases (2 years)
Oxford (Lifetime)	250 (Lifetime)	1500/1700/1800 (Lifetime)	Outdoor (1 year)
Stacker (Lifetime)	264 (Lifetime)	Cafe (Varies)	

STRUCTURAL FRAME WARRANTY

Does not apply to any product that has been altered, or subjected to misuse, negligence or accident. Under this warranty, any product proven to be defective shall be repaired or replaced at our option, free of charge, provided it is returned prepaid as directed. In no case shall liability under this warranty exceed the original purchase price of the defective merchandise. We reserve the right to inspect the defective item at our premises, by our factory personnel, to establish the cause of the alleged product failure.

This warranty shall not apply to any product which has been repaired or altered by anyone other than Artista personnel in any way as to affect, in our judgment, its stability and durability, nor which has been subjected to misuse, negligence, abuse or accident.

Artista's product line is for indoor use only (Excluding outdoor furniture), and therefore any damage caused by exposure to the elements, such as salt - air or ultra violet rays, is not covered by this warranty. Even where Artista was apprised of the final destination of an order, it is not liable under this warranty if the merchandise ordered was exposed to the elements. This warranty shall not apply to Artista merchandise which was exposed to harsh or acidic cleaning agents or abrasives.

Artista reserves the right to make changes at any time, without notice, in materials, dimensions, specifications, equipment, colors, design or prices. Artista also reserves the right to make such changes at any time without any obligation to make comparable revisions and/ or modifications on products manufactured at a previous time.

The cost of field repairs performed by non - Artista personnel will not be reimbursed unless expressly authorized in writing by Artista prior to the repair.

Artista does exclude upholstery from this warranty, whether the material is provided by Artista or as COM (Customers Own Material). However, warranties are often provided by the upholstery mill. All upholstery and laminates are subject to warranty offered by the respective manufacturer.

MAINTENANCE

To ensure durability and longevity of Artista's product line and customer satisfaction, periodic inspection and maintenance is necessary. Buyers should therefore advise their clients to inspect merchandise at regular intervals — particularly the joints, welds, swivels and other points of stress as well as missing glides, screws or bolts, and to clean and tighten screws and bolts, and grease parts where necessary. If repair parts are needed, use only Artista replacement parts and attachment methods.

If an item shows any sign of structural fatigue, it should be taken out of service immediately. If covered by warranty, Artista should be notified immediately. Any continued use of the product is at buyer's risk and Artista's warranty will no longer be valid.

Freight quotes are valid for 30 days.

Freight Classes (LTL)

Barstools (<i>Bases & heads packed separately</i>)	Bases 70 / Heads 85 Barstools (<i>KD</i>)
100	
Barstools (<i>Set-up, except Omni, Spectrum</i>)	125
Barstools (<i>Omni & Spectrum</i>)	(See chairs)
Bases (<i>KD</i>)	70
Booths (<i>KD</i>)	85
Booths (<i>Set-up</i>)	150
Chairs (<i>4 or more per carton</i>)	125
Chairs (<i>Less than 4 per carton</i>)	150
Chair Caddy	70
Chair Dolly	70
Chair Frames (<i>Nested</i>)	100
Costumers	85
Fountain Stools	(See barstools)
Seats & Backs (<i>Parts</i>)	85 Table Tops
Table Bases	(See bases)

Upholstery Grades

Naugahyde Stratford	Grade 1
Naugahyde Rogue II	Grade 2
Morbern Seabrook	Grade 2
Spradling Patriot Plus	Grade 3
Cracked Ice	Grade 3
Nassimi Seaquest	Grade 4
Culp Tea Time	Grade 4
Culp Fandango	Grade 4
Culp Dillon	Grade 4
Culp Gavotte	Grade 4
Culp Critic's Choice	Grade 4
Culp Winslow	Grade 4
Naugahyde Zodiac	Grade 5
Naugahyde English Pub	Grade 5
Piano	Grade 10

Classic Stools



215 - 46

Features

30" H x 15" W x 15" D
 Revolving Seat
 1" Pulled Seat
 1" Rd. Steel Tubing (16 Gauge)
 #11 Acrylic Glide
 #18 Swivel

Chrome Only

Quantity	Grade 1	Grade 2	Grade 3	Grade 4	Grade 5
7+	130.88	134.81	138.84	143.01	147.30
1-6	155.32	159.25	163.28	167.45	171.74

COM Yardage: 1/3 yd. - price @ GR 1

Weight: 25 lbs

Items Per Carton: 1

Shipping Class: 100

Seat Diameter: 14"



215 - 125 R

Features

30" H x 15" W x 15" D
 Revolving Seat
 1" Pulled Seat
 1" Rd. Steel Tubing (16 Gauge)
 #11 Acrylic Glide
 #18 Swivel

Chrome Only

Quantity	Grade 1	Grade 2	Grade 3	Grade 4	Grade 5
7+	130.78	134.71	138.74	142.90	147.19
1-6	155.22	159.15	163.19	167.34	171.63

COM Yardage: 2/3 yd. - price @ GR 1

Weight: 25 lbs

Items Per Carton: 1

Shipping Class: 100

Seat Diameter: 14"



215 - 125 RB

Features

30" H x 15" W x 15" D
 Revolving Seat
 1" Pulled Seat
 1" Rd. Steel Tubing (16 Gauge)
 #11 Acrylic Glide
 #18 Swivel

Chrome Only

Quantity	Grade 1	Grade 2	Grade 3	Grade 4	Grade 5
7+	206.04	212.22	218.59	225.15	231.90
1-6	230.48	236.67	243.03	249.59	256.34

COM Yardage: 7/8 yd. - price @ GR 1

Weight: 30 lbs

Items Per Carton: 1

Shipping Class: 100

Seat Diameter: 14"



215 - 530

Features

30" H x 15" W x 15" D
 Revolving Seat
 1" Pulled Seat
 1" Rd. Steel Tubing (16 Gauge)
 #11 Acrylic Glide
 #20 DBL Plate Swivel

Chrome Only

Quantity	Grade 1	Grade 2	Grade 3	Grade 4	Grade 5
7+	174.60	179.85	185.24	190.80	196.53
1-6	199.05	204.29	209.68	215.24	220.97

COM Yardage: 3/4 yd. - price @ GR 1

Weight: 30 lbs

Items Per Carton: 1

Shipping Class: 100

Seat Width: 15"

Standard Chrome Finish & Revolving Seats



215 - 531 SH

Features

30" H x 15" W x 15" D
 Revolving Seat
 2" Sewn Seat
 1" Rd. Steel Tubing (16 Gauge)
 #11 Acrylic Glide
 #20 DBL Plate Swivel

Quantity	Grade 1	Grade 2	Grade 3	Grade 4	Grade 5
7+	179.34	184.73	190.27	195.98	201.86
1-6	203.79	209.18	214.71	220.42	226.30

COM Yardage: ¾ yd. - price @ GR 1

Weight: 27 lbs

Items Per Carton: 1

Shipping Class: 100

Seat Width: 15"



215 - 782/49 NS

Features

30" H x 15" W x 15" D
 Revolving Seat
 Black & Red Stripe at No Cost
 #18 Swivel

Optional:

Custom Color Stripes (See pg.93)

Quantity	Grade 1	Grade 2	Grade 3	Grade 4	Grade 5
7+	125.72	129.49	133.38	137.38	141.49
1-6	150.16	153.93	157.82	161.82	165.94

COM Yardage: ½ yd. - price @ GR 1

Weight: 25 lbs

Items Per Carton: 1

Shipping Class: 100

Seat Diameter: 14"



215 - 782 RB/49 NSRB

Features

30" H x 15" W x 15" D
 Revolving Seat
 Black & Red Stripe at No Cost
 #18 Swivel

Optional:

Custom Color Stripes (See pg.93)

Quantity	Grade 1	Grade 2	Grade 3	Grade 4	Grade 5
7+	190.42	196.13	202.02	208.08	214.32
1-6	214.86	220.57	226.46	232.52	238.77

COM Yardage: ¾ yd. - price @ GR 1

Weight: 30 lbs

Items Per Carton: 1

Shipping Class: 100

Seat Diameter: 14"



215 - 921

Features

30" H x 15" W x 15" D
 Revolving Seat
 1" Pulled Seat
 1" Rd. Steel Tubing (16 Gauge)
 #11 Acrylic Glide
 #20 DBL Plate Swivel

Quantity	Grade 1	Grade 2	Grade 3	Grade 4	Grade 5
7+	174.60	179.85	185.24	190.80	196.53
1-6	199.05	204.29	209.68	215.24	220.97

COM Yardage: ¾ yd. - price @ GR 1

Weight: 30 lbs

Items Per Carton: 1

Shipping Class: 100

Seat Width: 15"

Standard Chrome Finish & Revolving Seats



Scalloped Ring Stool

250 - 49 NS

Features

30" H x 16" W x 16" D
 Revolving Seat
 1" Pulled Seat
 1¼" Rd. Steel Tubing (16 Gauge)
 #15 Glide
 #18 Swivel

Quantity	Grade 1	Grade 2	Grade 3	Grade 4	Grade 5
7+	225.14	231.89	238.84	246.00	253.39
1 - 6	249.58	256.33	263.29	270.45	277.83

COM Yardage: ⅓ yd. - price @ GR 1
 Weight: 25 lbs
 Items Per Carton: 1
 Shipping Class: 100
 Seat Diameter: 14"



Scalloped Ring Stool with Back

250 - 49 NSRB

Features

30" H x 16" W x 16" D
 Revolving Seat
 1" Pulled Seat
 1¼" Rd. Steel Tubing (16 Gauge)
 #15 Glide
 #18 Swivel

Quantity	Grade 1	Grade 2	Grade 3	Grade 4	Grade 5
7+	284.58	293.12	301.92	310.97	320.30
1 - 6	309.02	317.56	326.36	335.41	344.74

COM Yardage: ⅔ yd. - price @ GR 1
 Weight: 30 lbs
 Items Per Carton: 1
 Shipping Class: 100
 Seat Diameter: 14"



Bulged Ring Stool

250 - 781/46

Features

30" H x 16" W x 16" D
 Revolving Seat
 1" Pulled Seat
 1¼" Rd. Steel Tubing (16 Gauge)
 #15 Glide
 #18 Swivel

Quantity	Grade 1	Grade 2	Grade 3	Grade 4	Grade 5
7+	202.38	208.45	214.70	221.14	227.78
1 - 6	226.82	232.89	239.14	245.59	252.22

COM Yardage: ⅓ yd. - price @ GR 1
 Weight: 21 lbs
 Items Per Carton: 1
 Shipping Class: 100
 Seat Diameter: 13"



Grooved Ring Stool

250 - 782

Features

30" H x 16" W x 16" D
 Revolving Seat
 1¼" Rd. Steel Tubing (16 Gauge)
 Black & Red Stripe at No Cost
 #18 Swivel

Optional:

Custom Color Stripes (See pg.93)

Quantity	Grade 1	Grade 2	Grade 3	Grade 4	Grade 5
7+	225.14	231.89	238.84	246.00	253.39
1 - 6	249.58	256.33	263.29	270.45	277.83

COM Yardage: ⅓ yd. - price @ GR 1
 Weight: 25 lbs
 Items Per Carton: 1
 Shipping Class: 100
 Seat Diameter: 14"

Standard Chrome Finish & Revolving Seats



**Grooved Ring
Stool with Back**

250 - 782 RB

Features

30" H x 16" W x 16" D
Revolving Seat
Black & Red Stripe at No Cost
#18 Swivel

Optional:

Custom Color Stripes (See pg.93)

Quantity	Grade 1	Grade 2	Grade 3	Grade 4	Grade 5
7+	284.58	293.12	301.92	310.97	320.30
1 - 6	309.02	317.56	326.36	335.41	344.74

COM Yardage: $\frac{2}{3}$ yd. - price @ GR 1

Weight: 30 lbs

Items Per Carton: 1

Shipping Class: 100

Seat Diameter: 14"



Button Back Stool

250 - 921 BB

Features

30" H x 16" W x 16" D
Revolving Seat
1" Pulled Seat
1 $\frac{1}{4}$ " Rd. Steel Tubing (16 Gauge)
#15 Glide
#20 DBL Plate Swivel

Optional:

2" Waterfall or Sewn Hood Seat (Add \$17.28)

Quantity	Grade 1	Grade 2	Grade 3	Grade 4	Grade 5
7+	274.34	282.57	291.05	299.78	308.77
1 - 6	298.78	307.01	315.49	324.23	333.21

COM Yardage: $\frac{3}{4}$ yd. - price @ GR 1

Weight: 29 lbs

Items Per Carton: 1

Shipping Class: 100

Seat Width: 15"



**Malibu Channel
Back Stool**

250 - 921 MB

Features

30" H x 16" W x 16" D
Revolving Seat
1" Pulled Seat
1 $\frac{1}{4}$ " Rd. Steel Tubing (16 Gauge)
#15 Glide
#20 DBL Plate Swivel

Optional:

2" Waterfall or Sewn Hood Seat (Add \$17.28)

Quantity	Grade 1	Grade 2	Grade 3	Grade 4	Grade 5
7+	274.34	282.57	291.05	299.78	308.77
1 - 6	298.78	307.01	315.49	324.23	333.21

COM Yardage: $\frac{3}{4}$ yd. - price @ GR 1

Weight: 29 lbs

Items Per Carton: 1

Shipping Class: 100

Seat Width: 15"



**Curved "V"
Back Stool**

250 - 921 "V"

Features

30" H x 16" W x 16" D
Revolving Seat
1" Pulled Seat
1 $\frac{1}{4}$ " Rd. Steel Tubing (16 Gauge)
#15 Glide
#20 DBL Plate Swivel

Optional:

2" Waterfall or Sewn Hood Seat (Add \$17.28)

Quantity	Grade 1	Grade 2	Grade 3	Grade 4	Grade 5
7+	274.34	282.57	291.05	299.78	308.77
1 - 6	298.78	307.01	315.49	324.23	333.21

COM Yardage: $\frac{3}{4}$ yd. - price @ GR 1

Weight: 29 lbs

Items Per Carton: 1

Shipping Class: 100

Seat Width: 15"

Standard Chrome Finish & Revolving Seats



**Scalloped Ring Stool
with Back**

264 - 49 NSRB

Features

30" H x 16" W x 16" D
1" Rd. Steel Tubing (16 Gauge)
#11 Acrylic Glide
#19 with Cup Swivel

Optional:

Add \$17.15 for Paint
24" Seat Height at No Cost

Quantity	Grade 1	Grade 2	Grade 3	Grade 4	Grade 5
7+	221.34	227.99	234.83	241.87	249.13
1 - 6	245.78	252.43	259.27	266.31	273.57

COM Yardage: $\frac{2}{3}$ yd. - price @ GR 1

Weight: 30 lbs

Items Per Carton: 1

Shipping Class: 100

Seat Diameter: 14"



**Single Ring
Stool**

264 - 125

Features

30" H x 16" W x 16" D
1" Pulled Seat
1" Rd. Steel Tubing (16 Gauge)
#11 Acrylic Glide
#801 Swivel

Optional:

Add \$17.15 for Paint
24" Seat Height at No Cost

Quantity	Grade 1	Grade 2	Grade 3	Grade 4	Grade 5
7+	161.40	166.25	171.24	176.37	181.67
1 - 6	185.85	190.70	195.70	200.82	206.11

COM Yardage: $\frac{2}{3}$ yd. - price @ GR 1

Weight: 21 lbs

Items Per Carton: 1

Shipping Class: 100

Seat Diameter: 14"



**Single Ring
Drum Stool**

264 - 161

Features

30" H x 16" W x 16" D
1" Pulled Seat
1" Rd. Steel Tubing (16 Gauge)
#11 Acrylic Glide
#801 Swivel

Optional:

Add \$17.15 for Paint
24" Seat Height at No Cost

Quantity	Grade 1	Grade 2	Grade 3	Grade 4	Grade 5
7+	179.50	184.88	190.43	196.14	202.03
1 - 6	203.94	209.32	214.87	220.58	226.47

COM Yardage: $\frac{7}{8}$ yd. - price @ GR 1

Weight: 22 lbs

Items Per Carton: 1

Shipping Class: 125

Seat Diameter: 14"



**Single Ring Stool
with Back**

264 - 530

Features

30" H x 16" W x 16" D
1" Pulled Seat
1" Rd. Steel Tubing (16 Gauge)
#11 Acrylic Glide
#22 with Cup Swivel

Optional:

Add \$17.15 for Paint
24" Seat Height at No Cost

Quantity	Grade 1	Grade 2	Grade 3	Grade 4	Grade 5
7+	208.48	214.74	221.19	227.82	234.65
1 - 6	232.93	239.18	245.63	252.26	259.09

COM Yardage: $\frac{2}{3}$ yd. - price @ GR 1

Weight: 29 lbs

Items Per Carton: 1

Shipping Class: 100

Seat Width: 15"

Standard Chrome Finish & Revolving Seats



Bulged Single Ring Stool

264 - 781/46

Features

30" H x 16" W x 16" D
1" Pulled Seat
1" Rd. Steel Tubing (16 Gauge)
#11 Acrylic Glide
#801 Swivel

Optional:

Add \$17.15 for Paint
24" Seat Height at No Cost

Quantity	Grade 1	Grade 2	Grade 3	Grade 4	Grade 5
7+	155.34	160.01	164.80	169.75	174.85
1 - 6	179.78	184.45	189.24	194.19	199.29

COM Yardage: 1/3 yd. - price @ GR 1

Weight: 21 lbs

Items Per Carton: 1

Shipping Class: 100

Seat Diameter: 13"



Grooved Ring Stool

264 - 782/49 NS

Features

30" H x 16" W x 16" D
Black & Red Stripe at No Cost
#801 Swivel

Optional:

Custom Color Stripes (See pg.93)
Add \$17.15 for Paint
24" Seat Height at No Cost

Quantity	Grade 1	Grade 2	Grade 3	Grade 4	Grade 5
7+	157.20	161.92	166.77	171.78	176.94
1 - 6	181.64	186.36	191.21	196.22	201.38

COM Yardage: 1/3 yd. - price @ GR 1

Weight: 22 lbs

Items Per Carton: 1

Shipping Class: 100

Seat Diameter: 14"



Grooved Ring Stool with Back

264 - 782 RB

Features

30" H x 16" W x 16" D
Black & Red Stripe at No Cost
#19 with Cup Swivel

Optional:

Custom Color Stripes (See pg.93)
Add \$17.15 for Paint
24" Seat Height at No Cost

Quantity	Grade 1	Grade 2	Grade 3	Grade 4	Grade 5
7+	221.34	227.99	234.83	241.87	249.13
1 - 6	245.78	252.43	259.27	266.31	273.57

COM Yardage: 2/3 yd. - price @ GR 1

Weight: 30 lbs

Items Per Carton: 1

Shipping Class: 100

Seat Diameter: 14"



Single Ring Stool with Back

264 - 921

Features

30" H x 16" W x 16" D
1" Pulled Seat
1" Rd. Steel Tubing (16 Gauge)
#11 Acrylic Glide
#21 with Cup Swivel

Optional:

Add \$17.15 for Paint
24" Seat Height at No Cost

Quantity	Grade 1	Grade 2	Grade 3	Grade 4	Grade 5
7+	208.43	214.74	221.19	227.82	234.65
1 - 6	232.93	239.18	245.63	252.26	259.09

COM Yardage: 2/3 yd. - price @ GR 1

Weight: 29 lbs

Items Per Carton: 1

Shipping Class: 100

Seat Width: 15"

Standard Chrome Footring



Tapered Leg Stool

265 - 125 R**Features**

30" H x 16" W x 16" D
#3 Platform glide
#18 Swivel

Optional:

Add \$20.74 for Chrome (Shown Here)

Quantity	Grade 1	Grade 2	Grade 3	Grade 4	Grade 5
7+	136.22	140.32	144.53	148.86	153.33
1-6	160.67	164.76	168.97	173.31	177.77

COM Yardage: 2/3 yd. - price @ GR 1

Weight: 22 lbs

Items Per Carton: 1

Shipping Class: 100

Seat Diameter: 14"

Tapered Leg Stool
with Back**265 - 125 RB****Features**

30" H x 16" W x 16" D
#3 Platform Glide
#18 Swivel

Optional:

Add \$31.12 for Chrome (Shown Here)

Quantity	Grade 1	Grade 2	Grade 3	Grade 4	Grade 5
7+	202.62	208.70	214.96	221.41	228.05
1-6	227.06	233.15	239.40	245.85	252.49

COM Yardage: 7/8 yd. - price @ GR 1

Weight: 27 lbs

Items Per Carton: 1

Shipping Class: 100

Seat Diameter: 14"

Tapered Leg Stool
Non Revolving Seat**265 - 214****Features**

30" H x 16" W x 16" D
#3 Platform Glide
#18 Swivel

Optional:

Add \$20.74 for Chrome

Quantity	Grade 1	Grade 2	Grade 3	Grade 4	Grade 5
7+	137.08	141.20	145.43	149.80	154.29
1-6	161.52	165.64	169.87	174.24	178.73

COM Yardage: 1/2 yd. - price @ GR 1

Weight: 21 lbs

Items Per Carton: 1

Shipping Class: 100

Seat Width: 14"

Tapered Leg Stool
Fully Upholstered**265 - 242 WF****Features**

30" H x 16" W x 16" D
2" Waterfall Seat
#3 Platform Glide
#20 DBL Plate Swivel

Optional:

Add \$20.74 for Chrome

Quantity	Grade 1	Grade 2	Grade 3	Grade 4	Grade 5
7+	213.52	219.92	226.52	233.32	240.32
1-6	237.96	244.37	250.97	257.76	264.76

COM Yardage: 1 1/4 yds. - price @ GR 1

Weight: 27 lbs

Items Per Carton: 1

Shipping Class: 100

Seat Width: 16"

Frames Are Standard Satin Black



*Tapered Leg Stool
with Inset Back*

265 - X18 SHIB

Features

30" H x 16" W x 16" D
2" Sewn Hood Seat
#3 Platform Glide
#20 DBL Plate Swivel

Optional:

Add \$31.12 for Chrome

Quantity	Grade 1	Grade 2	Grade 3	Grade 4	Grade 5
7+	230.80	237.73	244.86	252.21	259.78
1 - 6	255.24	262.17	269.30	276.65	284.22

COM Yardage: $\frac{3}{4}$ yd. - price @ GR 1

Weight: 30 lbs

Items Per Carton: 1

Shipping Class: 100

Seat Width: 14"



*Tapered Leg Stool
with Straight Back*

265 - X23

Features

30" H x 16" W x 16" D
#3 Platform Glide
#20 DBL Plate Swivel

Optional:

Add \$31.12 for Chrome

Quantity	Grade 1	Grade 2	Grade 3	Grade 4	Grade 5
7+	131.90	135.86	139.93	144.13	148.46
1 - 6	156.34	160.30	164.37	168.58	172.90

COM Yardage: $\frac{2}{3}$ yd. - price @ GR 1

Weight: 28 lb

Items Per Carton: 1

Shipping Class: 100

Seat Width: 14"

To place your order

Ph: (478) 320-2502

Email: Jack@NewRetroDining

Chrome Finish Only & Revolving Seats



Arch Leg Stool with Scalloped Seat Ring

300 - 49 NS/782

Features

30" H x 16" W x 16" D
 3½" Column
 1" Rd. Steel Tubing (16 Gauge)
 #6 Glide
 #801 Swivel

Optional:

24" Seat Height at No Cost

Quantity	Grade 1	Grade 2	Grade 3	Grade 4	Grade 5
7+	216.46	222.95	229.64	236.52	243.63
1 - 6	240.90	247.39	254.08	260.96	268.07

COM Yardage: ⅓ yd. - price @ GR 1

Weight: 22 lbs

Items Per Carton: 1

Shipping Class: 100

Seat Diameter: 14"



Arch Leg Stool with Scalloped Seat Ring with Back

300 - 49 NSRB/782 RB

Features

30" H x 16" W x 16" D
 3½" Column
 1" Rd. Steel Tubing (16 Gauge)
 #6 Glide
 #19 with Cup Swivel

Optional:

24" Seat Height at No Cost

Quantity	Grade 1	Grade 2	Grade 3	Grade 4	Grade 5
7+	275.86	284.13	292.66	301.43	310.48
1 - 6	300.30	308.57	317.10	325.88	334.92

COM Yardage: ⅔ yd. - price @ GR 1

Weight: 30 lbs

Items Per Carton: 1

Shipping Class: 100

Seat Diameter: 14"



Arch Leg Stool with Drum Seat

300 - 161

Features

30" H x 16" W x 16" D
 3½" Column
 1" Rd. Steel Tubing (16 Gauge)
 #6 Glide
 #801 Swivel

Optional:

Accent Piping (Shown Here)

24" Seat Height at No Cost

Quantity	Grade 1	Grade 2	Grade 3	Grade 4	Grade 5
7+	222.82	229.49	236.38	243.47	250.78
1 - 6	247.26	253.94	260.82	267.92	275.22

COM Yardage: ⅞ yd. - price @ GR 1

Weight: 29 lbs

Items Per Carton: 1

Shipping Class: 100

Seat Diameter: 14"



Arch Leg Stool with Back

300 - 531 SH

Features

30" H x 16" W x 16" D
 2" Sewn Hood Seat
 3½" Column
 1" Rd. Steel Tubing (16 Gauge)
 #6 Glide
 #21 with Cup Swivel

Optional:

Accent Piping (Shown Here)

24" Seat Height at No Cost

Quantity	Grade 1	Grade 2	Grade 3	Grade 4	Grade 5
7+	260.62	268.44	276.50	284.79	293.34
1 - 6	285.07	292.89	300.94	309.23	317.78

COM Yardage: ¾ yd. - price @ GR 1

Weight: 29 lbs

Items Per Carton: 1

Shipping Class: 100

Seat Width: 15"

Chrome Finish Only & Revolving Seats



*Arch Leg Stool with
Bulged Seat Ring*

300 - 781/46

Features

30" H x 16" W x 16" D
3½" Column
1" Pulled Seat
1" Rd. Steel Tubing (16 Gauge)
#6 Glide
#801 Swivel

Optional:

24" Seat Height at No Cost

Quantity	Grade 1	Grade 2	Grade 3	Grade 4	Grade 5
7+	202.38	208.45	214.70	221.14	227.78
1 - 6	226.82	232.89	239.14	245.59	252.22

COM Yardage: ⅓ yd. - price @ GR 1

Weight: 22 lbs

Items Per Carton: 1

Shipping Class: 100

Seat Diameter: 13"



*Arch Leg Stool
with Back*

300 - 921 / 530

Features

30" H x 16" W x 16" D
3½" Column
1" Pulled Seat
1" Rd. Steel Tubing (16 Gauge)
#6 Glide
#21 Swivel with Cup

Optional:

24" Seat Height at No Cost

Quantity	Grade 1	Grade 2	Grade 3	Grade 4	Grade 5
7+	250.14	257.64	265.38	273.34	281.53
1 - 6	274.58	282.08	289.82	297.78	305.98

COM Yardage: ⅔ yd. - price @ GR 1

Weight: 29 lbs

Items Per Carton: 1

Shipping Class: 100

Seat Width: 15"



*Arch Leg Stool with
"V" Back*

300 - 921 "V"

Features

30" H x 16" W x 16" D
3½" Column
1" Pulled Seat
1" Rd. Steel Tubing (16 Gauge)
#6 Glide
#21 Swivel with Cup

Optional:

24" Seat Height at No Cost

Quantity	Grade 1	Grade 2	Grade 3	Grade 4	Grade 5
7+	274.34	282.57	291.05	299.78	308.77
1 - 6	298.78	307.01	315.49	324.23	333.21

COM Yardage: 1 yd. - price @ GR 1

Weight: 29 lbs

Items Per Carton: 1

Shipping Class: 100

Seat Width: 15"



*Arch Leg Stool with
Channel Back*

300 - 939 CB

Features

30" H x 16" W x 16" D
3½" Column
1" Pulled Seat
1" Rd. Steel Tubing (16 Gauge)
#6 Glide
#21 Swivel with Cup

Optional:

24" Seat Height at No Cost

Quantity	Grade 1	Grade 2	Grade 3	Grade 4	Grade 5
7+	265.42	273.38	281.58	290.03	298.73
1 - 6	289.86	297.83	306.02	314.47	323.17

COM Yardage: ¾ yd. - price @ GR 1

Weight: 29 lbs

Items Per Carton: 1

Shipping Class: 100

Seat Width: 15"

Standard Chrome Finish & Revolving Seats



Single Ring Pyramid
Base Stool

400 - 49 NS

Features

30" H x 16" W x 16" D
1" Pulled Seat
1¼" Rd. Tubing (16 Gauge)
#15 Glide
#18 Swivel

Quantity	Grade 1	Grade 2	Grade 3	Grade 4	Grade 5
7+	157.20	161.92	166.77	171.78	176.94
1 - 6	181.64	186.36	191.21	196.22	201.38

COM Yardage: ⅓ yd. - price @ GR 1 Weight: 23 lbs
Items Per Carton: 1 Shipping Class: 100
Seat Diameter: 14"



Single Ring Pyramid Base
with Back Stool

400 - 49 NSRB

Features

30" H x 16" W x 16" D
1" Pulled Seat
1¼" Rd. Tubing (16 Gauge)
#15 Glide
#18 Swivel

Quantity	Grade 1	Grade 2	Grade 3	Grade 4	Grade 5
7+	221.34	227.99	234.83	241.87	249.13
1 - 6	245.78	252.43	259.27	266.31	273.57

COM Yardage: ¾ yd. - price @ GR 1 Weight: 30 lbs
Items Per Carton: 1 Shipping Class: 125
Seat Diameter: 14"



Single Ring Pyramid
Base Stool

400 - 125 R

Features

30" H x 16" W x 16" D
1" Pulled Seat
1¼" Rd. Tubing (16 Gauge)
#15 Glide
#18 Swivel

Quantity	Grade 1	Grade 2	Grade 3	Grade 4	Grade 5
7+	161.44	166.28	171.26	176.40	181.69
1 - 6	185.88	190.72	195.70	200.84	206.13

COM Yardage: ⅔ yd. - price @ GR 1 Weight: 23 lbs
Items Per Carton: 1 Shipping Class: 125
Seat Diameter: 14"



Single Ring Pyramid
Stool with Back

400 - 242 WF

Features

30" H x 16" W x 16" D
2" Waterfall Seat
1¼" Rd. Tubing (16 Gauge)
#15 Glide
#20 DBL Plate Swivel

Quantity	Grade 1	Grade 2	Grade 3	Grade 4	Grade 5
7+	246.40	253.80	261.43	269.26	277.33
1 - 6	270.84	278.25	285.87	293.70	301.77

COM Yardage: 1¼ yds. - price @ GR 1 Weight: 37 lbs
Items Per Carton: 1 Shipping Class: 125
Seat Width: 16"

Chrome Finish Only & Revolving Seats



Single Ring Pyramid Base
with Bulged Seat Ring

400 - 781/46

Features

30" H x 16" W x 16" D
1" Pulled Seat
1¼" Rd. Steel Tubing (16 Gauge)
#15 Glide
#18 Swivel

Quantity	Grade 1	Grade 2	Grade 3	Grade 4	Grade 5
7+	155.34	160.01	164.80	169.75	174.85
1 - 6	179.78	184.45	189.24	194.19	199.29

COM Yardage: ⅓ yd. - price @ GR 1

Weight: 23 lbs

Items Per Carton: 1

Shipping Class: 125

Seat Diameter: 13"



Single Ring Pyramid Base
with Grooved Ring

400 - 782

Features

30" H x 16" W x 16" D
1¼" Rd. Steel Tubing (16 Gauge)
Black & Red Stripe at No Cost
#15 Glide
#18 Swivel

Quantity	Grade 1	Grade 2	Grade 3	Grade 4	Grade 5
7+	157.20	161.92	166.77	171.78	176.94
1 - 6	181.64	186.36	191.21	196.22	201.38

COM Yardage: ⅓ yd. - price @ GR 1

Weight: 23 lbs

Items Per Carton: 1

Shipping Class: 125

Seat Diameter: 14"

Optional:

Custom Color Stripes (See pg.93)



Single Ring Pyramid Base
with Malibu Back

400 - 782 RBMB

Features

30" H x 16" W x 16" D
1¼" Rd. Steel Tubing (16 Gauge)
Black & Red Stripe at No Cost
#15 Glide
#18 Swivel

Quantity	Grade 1	Grade 2	Grade 3	Grade 4	Grade 5
7+	245.50	252.86	260.45	268.26	276.31
1 - 6	269.94	277.30	284.89	292.70	300.75

COM Yardage: ¾ yd. - price @ GR 1

Weight: 30 lbs

Items Per Carton: 1

Shipping Class: 125

Seat Diameter: 14"

Optional:

Custom Color Stripes (See pg.93)



Single Ring Pyramid Base
with Handle Back

400 - 921 HB

Features

30" H x 16" W x 16" D
1¼" Rd. Steel Tubing (16 Gauge)
#15 Glide
#20 Swivel

Quantity	Grade 1	Grade 2	Grade 3	Grade 4	Grade 5
7+	254.40	262.02	269.89	277.98	286.32
1 - 6	278.84	286.46	294.33	302.42	310.76

COM Yardage: ¾ yd. - price @ GR 1

Weight: 30 lbs

Items Per Carton: 1

Shipping Class: 100

Seat Width: 15"

Standard Black Base Bottom & Revolving Seats



500 - 46

Features

30" H x 16" W x 16" D
3½" Column
#801 Swivel

Optional:

Add \$37.73 for Chrome (Shown Here)
24" Seat Height at No Cost

Quantity	Grade 1	Grade 2	Grade 3	Grade 4	Grade 5
7+	220.80	227.44	234.26	241.29	248.52
1 - 6	245.25	251.88	258.70	265.73	272.97

COM Yardage: ⅓ yd. - price @ GR 1

Weight: 30 lbs

Items Per Carton: 1

Shipping Class: 125

Seat Diameter: 14"



500 - 125

Features

30" H x 16" W x 16" D
3½" Column
#801 Swivel

Optional:

Add \$37.73 for Chrome
24" Seat Height at No Cost

Quantity	Grade 1	Grade 2	Grade 3	Grade 4	Grade 5
7+	218.04	224.59	231.32	238.26	245.41
1 - 6	242.48	249.03	255.76	262.70	269.85

COM Yardage: ⅔ yd. - price @ GR 1

Weight: 30 lbs

Items Per Carton: 1

Shipping Class: 125

Seat Diameter: 14"



500 - 161

Features

30" H x 16" W x 16" D
3½" Column
#801 Swivel

Optional:

Add \$37.73 for Chrome
24" Seat Height at No Cost

Quantity	Grade 1	Grade 2	Grade 3	Grade 4	Grade 5
7+	239.48	246.66	254.07	261.69	269.54
1 - 6	263.92	271.11	278.51	286.13	293.99

COM Yardage: ⅞ yd. - price @ GR 1

Weight: 30 lbs

Items Per Carton: 1

Shipping Class: 125

Seat Diameter: 14"



500 - 242 WF

Features

30" H x 16" W x 16" D
3½" Column
#20 DBL Plate Swivel

Optional:

Add \$37.73 for Chrome
24" Seat Height at No Cost

Quantity	Grade 1	Grade 2	Grade 3	Grade 4	Grade 5
7+	302.52	311.60	320.95	330.57	340.49
1 - 6	326.96	336.04	345.39	355.01	364.94

COM Yardage: 1¼ yds. - price @ GR 1

Weight: 37 lbs

Items Per Carton: 1

Shipping Class: 100

Seat Width: 16"

Standard Black Base Bottom & Revolving Seats



500 - 781

Features

30" H x 16" W x 16" D

3½" Column

#801 Swivel

Optional:

Add \$37.73 for Chrome

24" Seat Height at No Cost

Quantity	Grade 1	Grade 2	Grade 3	Grade 4	Grade 5
7+	220.80	227.44	234.26	241.29	248.52
1 - 6	245.25	251.88	258.70	265.73	272.97

COM Yardage: ⅓ yd. - price @ GR 1

Weight: 30 lb

Items Per Carton: 1

Shipping Class: 125

Seat Diameter: 13"



500 - 782

Features

30" H x 16" W x 16" D

3½" Column

Black & Red Stripe at No Cost

#801 Swivel

Optional:

Custom Color Stripes (See pg.93)

Add \$37.73 for Chrome (Shown Here)

24" Seat Height at No Cost

Quantity	Grade 1	Grade 2	Grade 3	Grade 4	Grade 5
7+	221.90	228.57	235.42	242.48	249.76
1 - 6	246.35	253.01	259.86	266.93	274.20

COM Yardage: ⅓ yd. - price @ GR 1

Weight: 30 lb

Items Per Carton: 1

Shipping Class: 125

Seat Diameter: 14"



500 - 782 RB

Features

30" H x 16" W x 16" D

3½" Column

Black & Red Stripe at No Cost

#19 with Cup Swivel

Optional:

Custom Color Stripes (See pg.93)

Add \$37.73 for Chrome (Shown Here)

24" Seat Height at No Cost

Quantity	Grade 1	Grade 2	Grade 3	Grade 4	Grade 5
7+	280.40	288.82	297.48	306.41	315.59
1 - 6	304.84	313.26	321.93	330.85	340.03

COM Yardage: ⅔ yd. - price @ GR 1

Weight: 37 lb

Items Per Carton: 1

Shipping Class: 100

Seat Diameter: 14"



500 - 921

Features

30" H x 16" W x 16" D

3½" Column

#21 with Cup Swivel

Optional:

Add \$37.73 for Chrome (Shown Here)

24" Seat Height at No Cost

Quantity	Grade 1	Grade 2	Grade 3	Grade 4	Grade 5
7+	262.50	270.38	278.50	286.85	295.46
1 - 6	286.95	294.82	302.94	311.29	319.90

COM Yardage: ⅞ yd. - price @ GR 1

Weight: 37 lb

Items Per Carton: 1

Shipping Class: 100

Seat Width: 15"

Econo Stools Have An Industrial Make Up



Econo Stool

751 Econo

Features

30" H x 16" W x 16" D
 1" Pulled Seat
¹³/₁₆" Sq. Steel Tubing (16 Gauge)
 #2 Glide
 Standard Chrome

Optional:

24" Seat Height at No Cost

Quantity	Grade 1	Grade 2	Grade 3	Grade 4	Grade 5
7+	96.56	99.45	102.43	105.51	108.67
1-6	121.00	123.89	126.87	129.95	133.11

COM Yardage: ¹/₃ yd. - price @ GR 1

Weight: 16 lbs

Items Per Carton: 1

Shipping Class: 125

Seat Diameter: 13"



Econo Stool

752 Econo

Features

30" H x 16" W x 16" D
 1" Pulled Seat
¹³/₁₆" Sq. Steel Tubing (16 Gauge)
 #2 Glide
 Standard Chrome

Optional:

24" Seat Height at No Cost

Quantity	Grade 1	Grade 2	Grade 3	Grade 4	Grade 5
7+	99.76	102.75	105.83	109.01	112.28
1-6	124.20	127.19	130.27	133.45	136.72

COM Yardage: ¹/₃ yd. - price @ GR 1

Weight: 16 lbs

Items Per Carton: 1

Shipping Class: 125

Seat Diameter: 13"

ECONO

— Backless Non-Swivel Stool —

Standard Chrome Finish & Revolving Seats

* Specify The Floor Attachment Shown On Pg.94



Classic Fountain Stool

1500 - 46

Features

30" H x 14" W x 14" D

3½" Column

9" Bell Bottom

#801 Swivel

Optional:

Grooved Column (Shown Here: Add \$22.65)

18" or 24" Seat Height at No Cost

Quantity	Grade 1	Grade 2	Grade 3	Grade 4	Grade 5
7+	203.96	210.08	216.38	222.88	229.56
1 - 6	228.40	234.52	240.82	247.32	254.00

COM Yardage: ⅓ yd. - price @ GR 1

Weight: 25lb

Items Per Carton: Varies

Shipping Class: Head - 85

Seat Diameter: 14"

Base - 70



Classic Fountain Stool
with Drum Seat

1500 - 161

Features

30" H x 14" W x 14" D

3½" Column

9" Bell Bottom

#801 Swivel

Optional:

18" or 24" Seat Height at No Cost

Quantity	Grade 1	Grade 2	Grade 3	Grade 4	Grade 5
7+	227.58	234.41	241.44	248.68	256.15
1 - 6	252.02	258.85	265.88	273.12	280.59

COM Yardage: ⅞ yd. - price @ GR 1

Weight: 19lb

Items Per Carton: Varies

Shipping Class: Head - 85

Seat Diameter: 14"

Base - 70



Classic Fountain Stool
with Back

1500 - 530

Features

30" H x 15" W x 15" D

3½" Column

9" Bell Bottom

#22 with Cup Return Swivel

Optional:

18" or 24" Seat Height at No Cost

Quantity	Grade 1	Grade 2	Grade 3	Grade 4	Grade 5
7+	246.04	253.42	261.02	268.85	276.91
1 - 6	270.48	277.86	285.46	293.29	301.36

COM Yardage: ¾ yd. - price @ GR 1

Weight: 25lb

Items Per Carton: 1

Shipping Class: Head - 85

Seat Width: 15"

Base - 70



Classic Fountain Stool
with Bulged Seat Ring

1500 - 781

Features

30" H x 13" W x 13" D

3½" Column

9" Bell Bottom

#801 Swivel

Optional:

18" or 24" Seat Height at No Cost

Footrest (Shown with 606: Add \$89.91)

*Footrest not available on 18"

Quantity	Grade 1	Grade 2	Grade 3	Grade 4	Grade 5
7+	203.98	210.11	216.41	222.90	229.59
1 - 6	228.43	234.55	240.86	247.35	254.03

COM Yardage: ⅓ yd. - price @ GR 1

Weight: 25lb

Items Per Carton: 1

Shipping Class: Head - 85

Seat Diameter: 13"

Base - 70

Standard Chrome Finish & Revolving Seats

*Specify The Floor Attachment Shown On Pg.94



Classic Fountain Stool
with Grooved Seat Ring

1500 - 782

Features

30" H x 14" W x 14" D

3½" Column

9" Bell Bottom

Black & Red Stripe at No Cost

#801 Swivel

Optional:

Custom Color Stripes (See pg.93)

18" or 24" Seat Height at No Cost

Quantity	Grade 1	Grade 2	Grade 3	Grade 4	Grade 5
7+	206.02	212.20	218.56	225.13	231.88
1-6	230.46	236.64	243.00	249.57	256.32

COM Yardage: ⅓ yd. - price @ GR 1 Weight: 25 lb
 Items Per Carton: Varies Shipping Class: Head - 85
 Seat Diameter: 14" Base - 70



Classic Fountain Stool
with Back & Grooved
Seat Ring

1500 - 782 RB

Features

30" H x 14" W x 14" D

3½" Column

9" Bell Bottom

Black & Red Stripe at No Cost

#19 with Cup Return Swivel

Optional:

Custom Color Stripes (See pg.93)

18" or 24" Seat Height at No Cost

Quantity	Grade 1	Grade 2	Grade 3	Grade 4	Grade 5
7+	275.02	283.27	291.78	300.53	309.54
1-6	299.46	307.71	316.22	324.97	333.98

COM Yardage: ⅔ yd. - price @ GR 1 Weight: 30 lb
 Items Per Carton: Varies Shipping Class: Head - 85
 Seat Diameter: 14" Base - 70



Classic Fountain Stool
with Back

1500 - 921

Features

30" H x 15" W x 15" D

3½" Column

9" Bell Bottom

#22 with Cup Return Swivel

Optional:

18" or 24" Seat Height at No Cost

Footrest (Shown with 505: Add \$89.91)

*Footrest not available on 18"

Quantity	Grade 1	Grade 2	Grade 3	Grade 4	Grade 5
7+	246.04	253.42	261.02	268.85	276.91
1-6	270.48	277.86	285.46	293.29	301.36

COM Yardage: ¾ yd. - price @ GR 1 Weight: 25 lb
 Items Per Carton: 1 Shipping Class: Head - 85
 Seat Width: 15" Base - 70



Classic Fountain Stool
with Channel Back

1500 - 939 CB

Features

30" H x 15" W x 15" D

3½" Column

9" Bell Bottom

#22 with Cup Return Swivel

Optional:

18" or 24" Seat Height at No Cost

Quantity	Grade 1	Grade 2	Grade 3	Grade 4	Grade 5
7+	271.74	279.91	288.30	296.95	305.86
1-6	296.19	304.35	312.74	321.39	330.30

COM Yardage: 1 yd. - price @ GR 1 Weight: 26 lb
 Items Per Carton: Varies Shipping Class: Head - 85
 Seat Width: 15" Base - 70

Standard Chrome Finish & Revolving Seats

*Standard Red & Black Teardrop Colors

*Specify The Floor Attachment Shown On Pg.94



Classic Teardrop Stool
with Smooth Ring

1700 - 46

Features

30" H x 14" W x 14" D
3 1/2" Column
9" Bell Bottom
#801 Swivel

Optional:

Grooved Column (Shown Here: Add \$22.65)
18" or 24" Seat Height at No Cost

Quantity	Grade 1	Grade 2	Grade 3	Grade 4	Grade 5
7+	221.34	227.99	234.83	241.87	249.13
1 - 6	245.78	252.43	259.27	266.31	273.57

COM Yardage: 1/3 yd. - price @ GR 1

Weight: 18 lbs

Items Per Carton: Varies

Shipping Class: Head - 85
Base - 70

Seat Diameter: 14"



Classic Teardrop Stool
with Drum Seat

1700 - 161

Features

30" H x 14" W x 14" D
3 1/2" Column
9" Bell Bottom
#801 Swivel

Optional:

18" or 24" Seat Height at No Cost

Quantity	Grade 1	Grade 2	Grade 3	Grade 4	Grade 5
7+	245.00	252.36	259.93	267.73	275.76
1 - 6	269.45	276.80	284.37	292.17	300.20

COM Yardage: 7/8 yd. - price @ GR 1

Weight: 19 lbs

Items Per Carton: 1

Shipping Class: 100

Seat Diameter: 14"



Classic Teardrop Stool
with Bulged Seat Ring

1700 - 781

Features

30" H x 13" W x 13" D
3 1/2" Column
9" Bell Bottom
#801 Swivel

Optional:

18" or 24" Seat Height at No Cost
Footrest (Shown is 606: Add \$89.91)

*Footrest not available on 18"

Quantity	Grade 1	Grade 2	Grade 3	Grade 4	Grade 5
7+	221.36	228.01	234.85	241.90	249.15
1 - 6	245.81	252.45	259.29	266.34	273.59

COM Yardage: 1/3 yd. - price @ GR 1

Weight: 22 lbs

Items Per Carton: Varies

Shipping Class: Head - 85
Base - 70

Seat Diameter: 13"



Classic Teardrop Stool
with Grooved Seat Ring

1700 - 782

Features

30" H x 14" W x 14" D
3 1/2" Column
9" Bell Bottom
Black & Red Stripe at No Cost
#801 Swivel

Optional:

Custom Color Stripes (See pg.93)
18" or 24" Seat Height at No Cost

Quantity	Grade 1	Grade 2	Grade 3	Grade 4	Grade 5
7+	223.48	230.18	237.08	244.19	251.52
1 - 6	247.92	254.62	261.53	268.63	275.96

COM Yardage: 1/3 yd. - price @ GR 1

Weight: 25 lbs

Items Per Carton: Varies

Shipping Class: Head - 85
Base - 70

Seat Diameter: 14"

Standard Chrome Finish & Revolving Seats

*Standard Red & Black Teardrop Colors

*Specify The Floor Attachment Shown On Pg.94



Classic Teardrop Stool
with Elite Back &
Grooved Seat Ring

1700 - 782 RB - EL

Features

30" H x 14" W x 14" D

3½" Column

9" Bell Bottom

Black & Red Stripe at No Cost

#801 Swivel

Optional:

Custom Color Stripes (See Below)

18" or 24" Seat Height at No Cost

Quantity	Grade 1	Grade 2	Grade 3	Grade 4	Grade 5
7+	316.62	325.39	334.43	343.74	353.33
1-6	341.07	349.83	358.88	368.18	377.77

COM Yardage: ⅔ yd. - price @ GR 1

Weight: 30 lbs

Items Per Carton: Varies

Shipping Class: Head - 85
Base - 70

Seat Diameter: 14"



Classic Teardrop Stool
with Smooth Back

1700 - 921

Features

30" H x 15" W x 15" D

3½" Column

9" Bell Bottom

#22 with Cup Return Swivel

Optional:

Grooved Column (Shown Here: Add \$22.65)

18" or 24" Seat Height at No Cost

Quantity	Grade 1	Grade 2	Grade 3	Grade 4	Grade 5
7+	263.44	271.34	279.48	287.87	296.51
1-6	287.88	295.78	303.78	312.31	320.95

COM Yardage: ⅔ yd. - price @ GR 1

Weight: 30 lbs

Items Per Carton: Varies

Shipping Class: Head - 85
Base - 70

Seat Width: 15"



Classic Teardrop Stool
with "V" Back

1700 - 921 "V"

Features

30" H x 15" W x 15" D

3½" Column

9" Bell Bottom

#22 with Cup Return Swivel

Optional:

Grooved Column (Shown Here: Add \$22.65)

18" or 24" Seat Height at No Cost

Quantity	Grade 1	Grade 2	Grade 3	Grade 4	Grade 5
7+	287.68	296.32	305.21	314.36	323.80
1-6	312.13	320.76	329.65	338.80	348.24

COM Yardage: ¼ yd. - price @ GR 1

Weight: 30 lbs

Items Per Carton: 1

Shipping Class: Head - 85
Base - 70

Seat Width: 15"

Custom 1700 Features

Special Heights

\$20.72

Custom Color Pinstriping

1-3 pcs: \$69.84 flat charge
4+ pcs: \$15.20 each

Grooved Columns

\$22.65

Teardrop Colors

(white, blue, pink, and yellow)

\$19.54 each

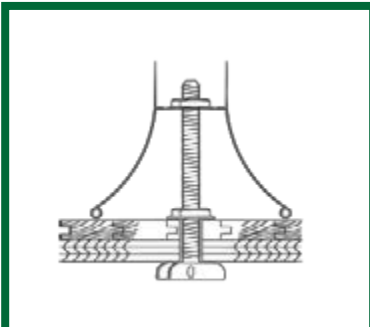
*Minimum order of 7 stools for colors
other than red or black

*Red and black are standard

Available In all powder paint colors



1500 & 1700 Attachments



Type "A"

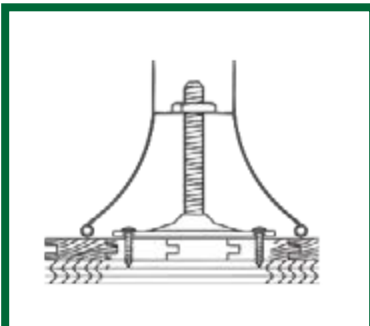
Type "A" Floor Attachment

Utilized to secure the 1500 - 1700 series fountain stool or H - Series Table Base through a wooden floor (*Floor not to exceed 5" in thickness*) by means of a toggle bolt.

24.71

With purchase of stool

FREE



Type "B"

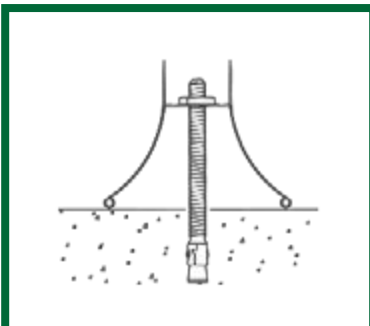
Type "B" Floor Attachment

Utilized to secure the 1500 - 1700 series fountain stool or H - series table base to a wooden floor by means of an anchor plate.

24.71

With purchase of stool

FREE



Type "C"

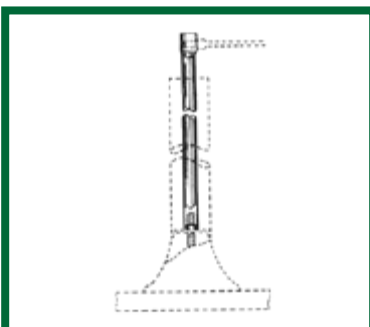
Type "C" Floor Attachment

Utilized to secure the 1500 - 1700 series fountain stool or H - series table base into a composite floor by means of an expansion shell.

24.71

With purchase of stool

FREE



Wrench

Wrench Floor Attachment

Utilized to tighten the 1500 - 1700 series fountain stool or H - Series Table Base to the floor.

24.71

With purchase of stool

FREE

Footrest

*Footrest Not Available On 18" Stools



404 Footring

404 Footring

Brings the contemporary styling of the 500 series to the 1500 & 1700 series fountain stool. Chrome finish is standard.

16" ring

130.19



505 Footrest

505 Footrest

Offers a triangular, contoured cast version to the 1500 & 1700 soda fountain stool.

98.91



606 Footrest

606 Footrest

Displays an attractive, inexpensive addition to the 1500 & 1700 soda fountain series along with 1800 base stools.

89.91



707 Footrest

707 Footrest

Displays an inexpensive, nostalgic addition to the 1500 - 1700 series fountain stool.

89.91

Glides

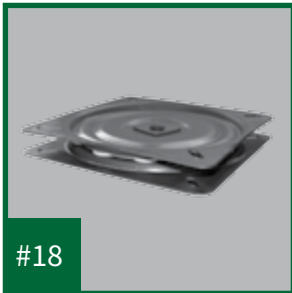
Please note: Over the years, some models may have changed from one glide style to another. When requesting replacement glides for your particular situation, compare the glide that you currently have with our illustrations. Should your glide look different than one of those illustrated please feel free to call our customer service center at (478) 320-2502

<p>Stacker</p>  <p>#1</p> <p>1.72</p>	<p>Stack Chair</p>  <p>#2</p> <p>1.16</p>	<p>265 & 921</p>  <p>#3</p> <p>2.04</p>	<p>921 & 934</p>  <p>#6</p> <p>1.72</p>	<p>A & D Bases</p>  <p>#7</p> <p>1.72</p>
<p>Metal Glide $\frac{13}{16}$" or 1" Square <i>Nylon bottom available on $\frac{13}{16}$"</i></p>	<p>Plastic Glide $\frac{13}{16}$" Square</p>	<p>Metal Glide $\frac{3}{4}$" and 1" Round</p>	<p>Metal Glide 1" Round</p>	<p>Metal Glide/Nylon Adjustable $1\frac{1}{16}$" Diameter $\frac{1}{4}$-20 Thread</p>
<p>All Bases</p>  <p>#9 <i>Self Leveling</i></p> <p>4.31</p>	<p>B & C Bases</p>  <p>#10</p> <p>1.16</p>	<p>264 & 215</p>  <p>#11</p> <p>1.16</p>	<p>Metal Parlor</p>  <p>#13 <i>Standard</i></p> <p>1.16</p>	<p>Nylon Parlor</p>  <p>#13</p> <p>1.16</p>
<p>Plastic Glide $1\frac{3}{16}$" Diameter $\frac{1}{4}$-20 thread</p>	<p>Plastic Glide Adjustable 1" Diameter $\frac{1}{4}$-20 thread</p>	<p>Black Acrylic Glide 1" Diameter for 16 gauge</p>	<p>Metal Glide $\frac{7}{8}$" Round platform glide</p>	<p>Nylon Glide $\frac{7}{8}$" Round platform glide</p>
<p>Omni & Spectrum</p>  <p>#15</p> <p>1.16</p>	<p>LSC, INN, OX</p>  <p>#18</p> <p>1.16</p>	<p>Glide Cap</p>  <p>#1/6</p> <p>1.16</p>	<p>884</p>  <p>#17</p> <p>1.16</p>	<p>885</p>  <p>#16</p> <p>1.16</p>
<p>Metal Glide/Nylon $1\frac{1}{4}$" Round</p>	<p>Butyrate Glide $1\frac{1}{4}$" square 16 gauge - black</p>	<p>Retread Heavy Duty Nylon</p>		

Swivels

Please note: Over the years, some models may have changed from one swivel style to another. When requesting replacement swivels for your particular situation, compare the swivel that you currently have with our illustrations. Should your swivel look different than one of those illustrated please feel free to call our customer service senter at (478) 320-2502.

215 & 265 Stool



#18

28.96

Double - plate,
flat swivel for seat
without backs.

Call Factory

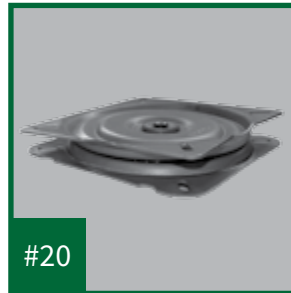


#19

33.24

Single - plate, flat swivel.

215 & 265



#20

28.96

Double - plate, 3°
tilting swivel.

300,264,1500 & 1700 Stools

#21
cup

33.24

Single - plate, 3°
tilting swivel with cup.

1500 - 1700 Stools w/ Backs

#22
studs

51.00

Single - plate, 3°
tilting, return swivel
with studs.

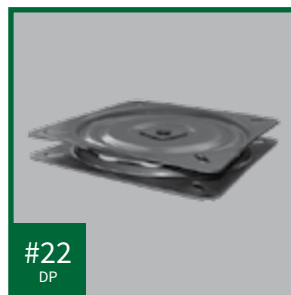
1500 - 1700 Stools w/ Backs

#22
cup

51.00

Single - plate, 3°
tilting, return swivel
with cup.

1800 Stools

#22
DP

51.00

Double - plate, 3°
tilting, return swivel
with double plate.

264,300,1500 & 1700 Stools



#801

33.24

Flat swivel, with cup.



Swivel, 3 bolt pattern



Swivel, 4 bolt pattern