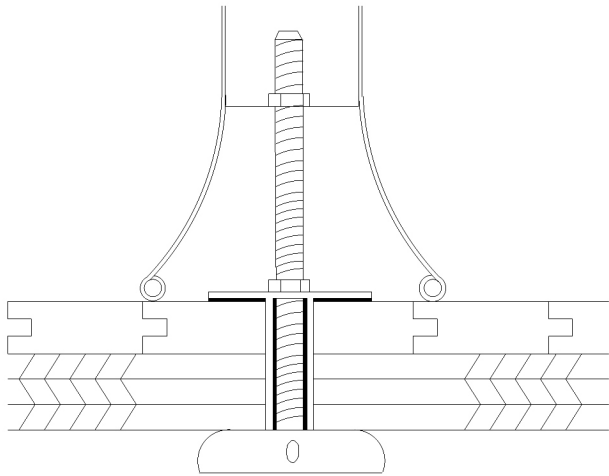


WOOD FLOOR ON SLEEPERS/ JOISTS

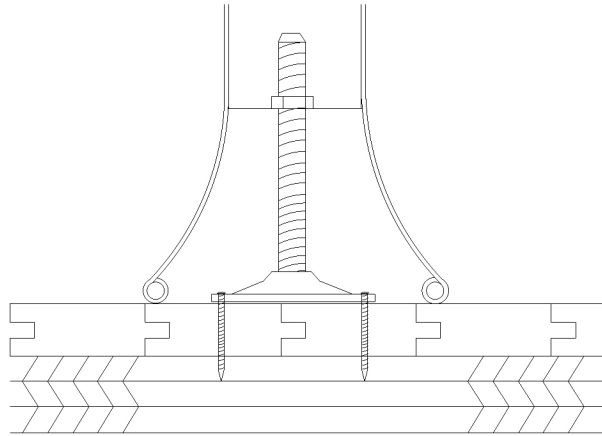
- \* AFTER MARKING POSITION ON FLOOR, DRILL  $\frac{7}{8}$ " HOLE IN FLOOR AND INSERT TOGGLE BOLT
- \* LOCK IN PLACE WITH WASHER AND  $\frac{1}{2}$ " NUT
- \* INSTALL BASE OVER BOLT
- \* PLACE  $\frac{1}{2}$ " NUT IN STOOL, WRENCH AND TIGHTEN WITH ADJUSTABLE END WRENCH



TYPE - A

WOOD FLOOR ADHERED TO SOLID SUBSTRATE

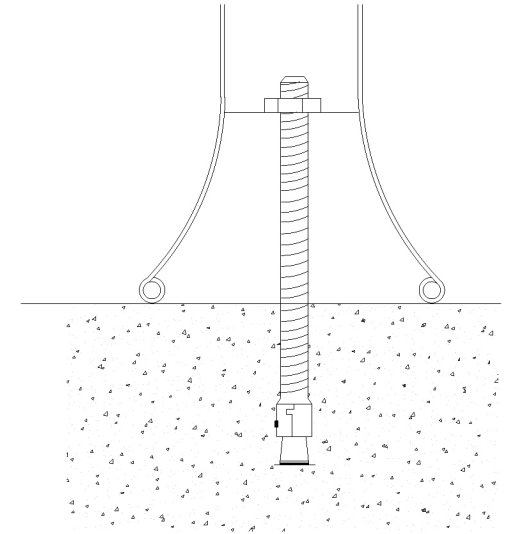
- \* AFTER MARKING POSITION ON FLOOR,
- \* ANCHOR FLOOR PLATE TO FLOOR WITH 2" SCREWS
- \* INSTALL BASE OVER BOLT
- \* PLACE  $\frac{1}{2}$ " NUT IN STOOL, WRENCH AND TIGHTEN WITH ADJUSTABLE END WRENCH



TYPE - B

CONCRETE SUB FLOOR

- \* AFTER MARKING POSITION ON FLOOR, DRILL  $\frac{1}{2}$ " HOLE 2" DEEP
- \* INSERT EXPANSION ANCHOR IN HOLE AND LIGHTLY SET
- \* SET BASE OVER BOLT
- \* PLACE  $\frac{1}{2}$ " NUT IN STOOL, WRENCH AND TIGHTEN WITH ADJUSTABLE END WRENCH



TYPE - C

DRAWING BY SPEN WINTERSON	1500 STJ00L	DATE: 1-2-07		FLOOR ATTACHMENT DETAILS
------------------------------	-------------	-----------------	--	--------------------------------